

2023 COLLECTION | SHOTGUN | PCP AIR RIFLE



ASELKON

www.aselkonarms.com

www.aselkonarms.com



We, ASELKON AŞ, are a well established international company that manufactures and exports Hunting, Sporting, and Tactical Military Purpose Shotguns, Pistols, PCP Air Rifles and all spare parts of firearms in accordance with internationally accepted standards, especially to ATF and CIP proof tests, and Country-Specific Firearms Compliance Regulations. We've been actively operating in the firearms sector since 2006 with our vast experience in manufacturing and exporting to more than 50 countries. Our products are highly appreciated in many leading markets in the world.

Thanks to our 40.000 m² fully integrated production facility, with our dynamic, productive and experienced technical staff, we manufacture every parts of guns from raw material to final product in our own facilities without depending on any

external factor. In this way, in every stage of production we manage our quality control perfectly and provide a high level of quality assurance.

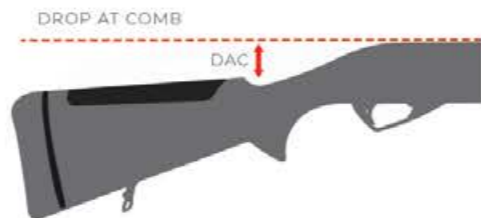
As well as our major operations in international markets, we continue to cooperate with government and military forces in delivering diverse projects regarding armored vehicles, missile launcher platforms, crane – machinery and construction industry.

As being one of the leading manufacturers in firearms industry, we constantly improve our product and service quality with the concepts of high automation and flexibility in order to provide better quality products and effective solutions for the needs customers. We always aim the best in quality and increase the customer satisfaction.

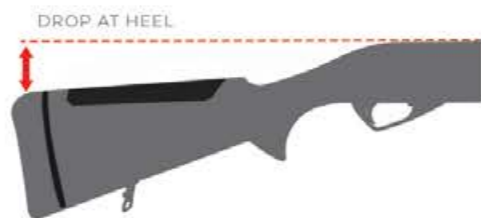
FUNCTIONING | STOCK DETAILS



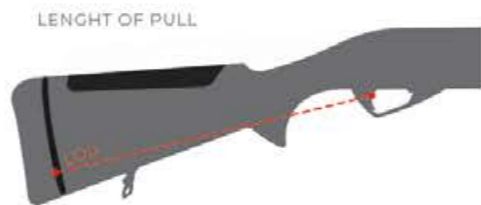
- ① FUNCTIONING TEST
- ② CONDITIONS TEST
- ③ 3D & GUN CHECKS TEST
- ④ ACCURACY TEST
- ⑤ PRESSURE DROP TEST



DAC is can be adjustable to 35-39 mm



DAH is can be adjustable to 45-50-55-60 mm



LOP is can be adjustable to -5, -10 mm



SHOTGUN

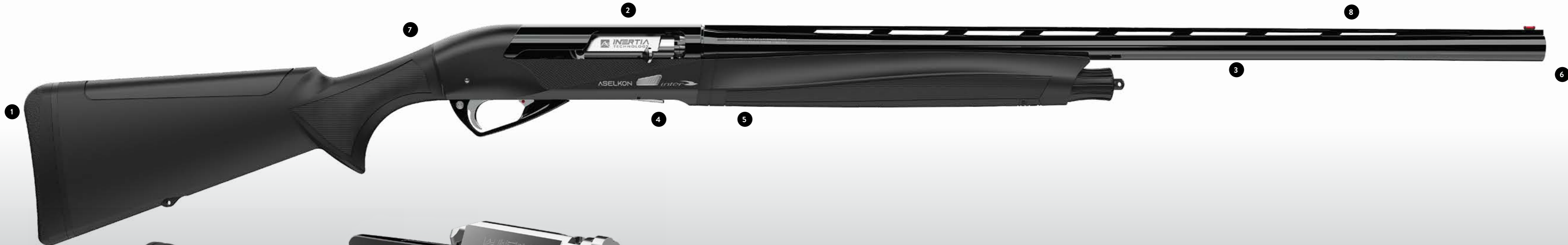
X3	10-21	inter	46-59	Super MAGNUM	76-87	STATO4	100-109
X4	22-33	RedStone	60-71	OVER/UNDER	88-94	STATO3	110-119
X5	34-45	RedSport	72-75	TACTICAL	94-99	ASK12	120-123

PCP AIR RIFLES

EMPERADOR LS1	128-129	MX5	136-137	MX8	144-145	RX5	152-153
EMPERADOR LS2	130-131	MX6	138-139	MX9	146-147	RX6	154-155
EMPERADOR LS3	132-133	MX7	140-141	MX10	148-149	RX1250	156-157
EMPERADOR LS4	134-135	MX7-S	142-143	MX10-S	150-151		



Shotguns



SWIVEL KIT



Aselkon recoil pads which are made of a mixture of special polyurethane and rubber materials minimize the recoil and provides a comfortable targeting and shooting.



INERTIA TECHNOLOGY

Our proprietary refinements to the ultra-reliable Bruno Civolani "floating bolt" action ensure the Aselkon Shotguns are able to quickly cycle even the lightest 12 gauge loads. Inertia system consists of 3 main parts; bolt mechanism, rotating bolt, and inertia spring. Thanks to its simple combination, inertia system functions faster and flawlessly. Unlike the gas operated systems, since the burnt powder gas does not contact with the mechanism, system remains clean and requires less maintenance. Aselkon's rotating bolt utilizes our unstoppable Inertia Technology Locking System to ensure positive bolt head lock-up to the breach under all conditions.



1500 BAR

Each Aselkon barrel is subjected to a proof test with 1500 BAR high pressure test cartridge before leaving our factory.

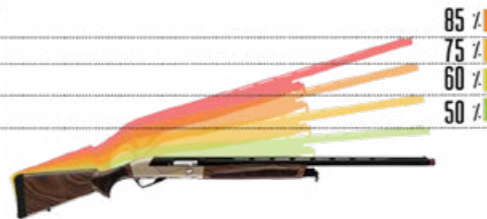


Aselkon's improved loading mechanism provides the user quite a smooth loading.

INTER. BALANCED

The center of gravity is balanced on the forend to ensure a comfortable carry and practical shooting.

COMPARISON OF MUZZLE CLIMBING	
BRAND A	85 %
BRAND A	75 %
BRAND A	60 %
INTER ARMS	50 %



INTERPROCHOKE

We engineered the interchangeable InterPro Chokes to maximize the constancy of shot placement through reduced friction that enhances load speeds.

INTERBOREDBARREL

Aselkon barrels are standard with our precision drilling, honing and chrome coating process. Aselkon Barrels are designed to increase accuracy, to shoot comfortably and function superbly with both light and heavy loads.



DROP & CAST ADJUSTMENT





X3

the most
COMFORT POWER

INERTIA
TECHNOLOGY

1500
BAR

EASY
LOAD

.INTER.
BALANCED

INTERPROCHOKE

INTERBOREDBARREL

COMFORT
RECOIL

LUXURY
WOOD



X3 DARK BLACK



X3 BRONZE PURE



X3 SILVER



X3 SILVER LIGHT



X3 MATTE BLACK



X3 GRAY LIGHT



X3 EXTRA BLACK



X3 BOTTOMLAND BRONZE



X3 BOTTOMLAND



X3 CAMO MAX5



X3 ELEGANT SILVER BLACK



X3 ELEGANT BLACK



X3 ELEGANT SILVER



X3 ELEGANT BRONZE



X3 ELEGANT SEA GREEN



X4

the most
COMFORT POWER



INERTIA
TECHNOLOGY

1500
BAR



INTER.
BALANCED

INTERPROCHOKE

INTERBOREDBARREL

COMFORT
RECOIL

LUXURY
WOOD



X4 SILVER



X4 DARK BLACK



X4 BRONZE PURE



X4 SILVER LIGHT



X4 MATTE BLACK



X4 EXTRA BLACK



X4 GRAY LIGHT



X4 BRONZE LIGHT



X4 BOTTOMLAND BRONZE



X4 BOTTOMLAND



X4 CAMO MAX5



X4 ELEGANT SILVER BLACK



X4 ELEGANT BLACK



X4 ELEGANT SILVER



X4 ELEGANT BRONZE



X4 ELEGANT SEA GREEN



X5

the most
COMFORT POWER

INERTIA
TECHNOLOGY

1500
BAR

EASY
LOAD

INTER.
BALANCED

INTERPLUSCHOKE

INTERBOREDBARREL

COMFORT
RECOIL

LUXURY
WOOD



X5 SILVER



X5 DARK BLACK



X5 BRONZE PURE



X5 SILVER LIGHT



X5 MATTE BLACK



X5 EXTRA BLACK



X5 GRAY LIGHT



X5 BRONZE LIGHT



X5 BOTTOMLAND BRONZE



X5 BOTTOMLAND



X5 CAMO MAX5



X5 ELEGANT SILVER BLACK



X5 ELEGANT BLACK



X5 ELEGANT SILVER



X5 ELEGANT BRONZE



X5 ELEGANT SEA GREEN



inter

the most
COMFORT POWER

INERTIA
TECHNOLOGY

1500
BAR

EASY
LOAD

INTER.
BALANCED

INTERPROCHOKE

INTERBOREDBARREL

COMFORT
RECOIL

LUXURY
WOOD



INTER DARK BLACK



INTER BRONZE PURE



INTER SILVER





INTER EXTRA BLACK



INTER GRAY LIGHT



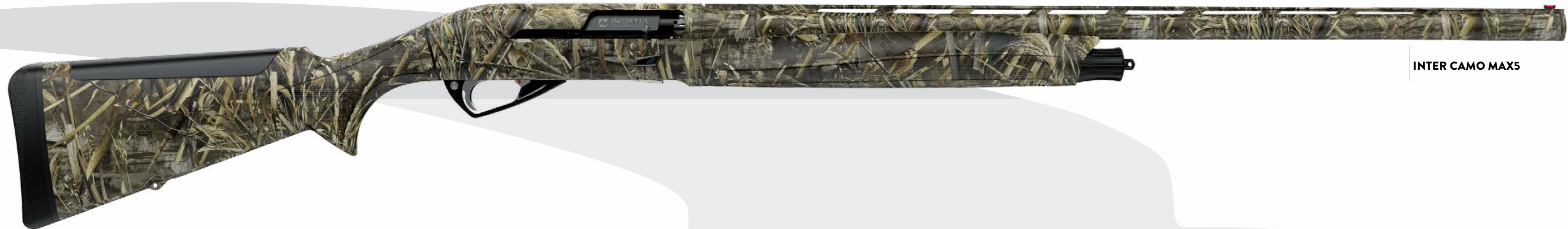
INTER MATTE BLACK



INTER BRONZE LIGHT



INTER SILVER LIGHT



INTER CAMO MAX5



**INTER BOTTOMLAND
BRONZE**



**INTER TIMBER
BRONZE**



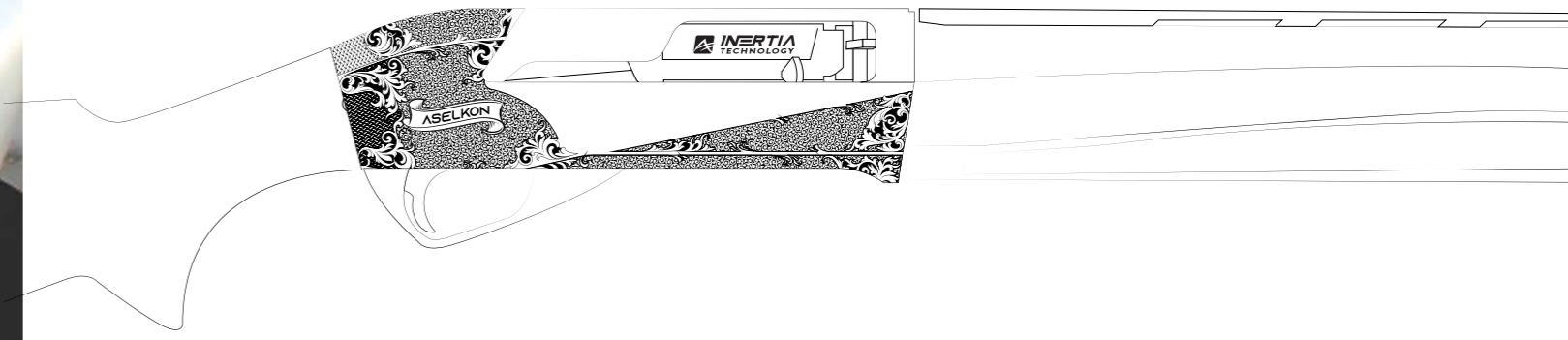
INTER BOTTOMLAND



INTER TIMBER



elegant



inter 



INTER ELEGANT SILVER BLACK



INTER ELEGANT BLACK



INTER ELEGANT SILVER



INTER ELEGANT BRONZE



INTER ELEGANT SEA GREEN



RedStone

the most
COMFORT POWER

INERTIA
TECHNOLOGY

1500
BAR

EASY
LOAD

INTER.
BALANCED

INTERPLUSCHOKE

INTERBOREDBARREL

COMFORT
RECOIL

LUXURY
WOOD



REDSTONE DARK BLACK



REDSTONE BRONZE PURE



REDSTONE SILVER



REDSTONE SILVER LIGHT



REDSTONE BRONZE LIGHT



REDSTONE MATTE BLACK



REDSTONE EXTRA BLACK



REDSTONE GRAY LIGHT





REDSTONE BOTTOMLAND



**REDSTONE
BOTTOMLAND BRONZE**



**REDSTONE
TIMBER BRONZE**



REDSTONE CAMO MAX5





REDSTONE ELEGANT SILVER BLACK



REDSTONE ELEGANT BLACK



REDSTONE ELEGANT SILVER



REDSTONE ELEGANT BRONZE



REDSTONE ELEGANT SEA GREEN



RedSport

the most
COMFORT POWER

INERTIA
TECHNOLOGY

1500
BAR

EASY
LOAD

INTER.
BALANCED

INTERPLUSCHOKE

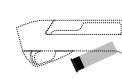
INTERBOREDBARREL

COMFORT
RECOIL

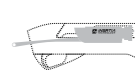
LUXURY
WOOD



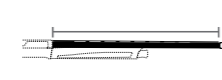
Gauge



Chamber



Action



Barrel length



Barrel



Choke



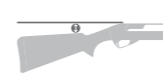
Rib



Stock length



Drop at heel



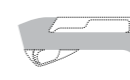
Drop at comb



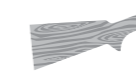
Weight



Forend



Receiver



Stock



Magazine Capacity



Safety



Trigger Guard



Trigger



Sight



Recoil Pad

Red Sport

12 GA 3"

76 mm

Kinetic Drive Inertial System
Semiautomatic, Rotating Bolt

61-66-71-76 cm

Chrome-Lined, 4140 Steel
Inter Bored Barrel5 InterPro
C-IC-M-IM-F8 mm / High
Rib

340 mm

55±1 mm, 45-50-60 mm
Adjustable

37±1 mm

2.85± kg

Synthetic

Aluminium Anodized
Cerakote Coating

Synthetic

9+1/10+1

Trigger Safety

Special
PolyurethaneTrigger Safety, Automatic Locking
System, Anti-Repeat SystemFiber Optic
SightSpecial
Polyurethane Pad



Super
MAGNUM

the most
COMFORT POWER

INERTIA
TECHNOLOGY

1500
BAR

EASY
LOAD

INTER.
BALANCED

INTERPROCHOKE

INTERBOREDBARREL

COMFORT
RECOIL

LUXURY
WOOD



**3,5" INTER
SUPER MAGNUM CAMO MAX5**



**3,5" INTER
SUPER MAGNUM TIMBER**



**3,5" INTER
SUPER MAGNUM TIMBER BRONZE**



**3,5" INTER
SUPER MAGNUM EXTRA BLACK**



**3,5" INTER
SUPER MAGNUM BOTTOMLAND BRONZE**



**3,5" INTER
SUPER MAGNUM BOTTOMLAND**



**3,5" REDSTONE
SUPER MAGNUM TIMBER**



**3,5" REDSTONE
SUPER MAGNUM CAMO MAX5**



**3,5" REDSTONE
SUPER MAGNUM TIMBER BRONZE**



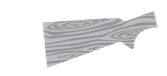
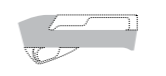
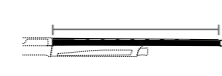
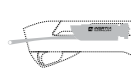
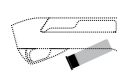
**3,5" REDSTONE
SUPER MAGNUM EXTRA BLACK**



**3,5" REDSTONE
SUPER MAGNUM BOTTOMLAND BRONZE**



**3,5" REDSTONE
SUPER MAGNUM BOTTOMLAND**



Gauge

Chamber

Action

Barrel length

Barrel

Choke

Rib

Stock length

Drop at heel

Drop at comb

Weight

Forend

Receiver

Stock

Magazine Capacity

Safety

Trigger Guard

Trigger

Sight

Recoil Pad

Inter Super Magnum Extra Black	12 GA 3.5"	89 mm	Kinetic Drive Inertial System Semiautomatic, Rotating Bolt	61-66-71-76 cm	Chrome-Lined, 4140 Steel Inter Bored Barrel	5 InterPro C-IC-M-IM-F	8 mm / High Rib	340 mm	55±1 mm, 45-50-60 mm Adjustable	37±1 mm	3.10± kg	Synthetic	Aluminium Anodized Cerakote Coating	Synthetic	2+1x12/89 Extendable	Trigger Safety	Special Polyurethane	Trigger Safety, Automatic Locking System, Anti-Repeat System	Fiber Optic Sight	Special Polyurethane Pad
Inter Super Magnum Bottomland	12 GA 3.5"	89 mm	Kinetic Drive Inertial System Semiautomatic, Rotating Bolt	61-66-71-76 cm	Chrome-Lined, 4140 Steel Inter Bored Barrel	5 InterPro C-IC-M-IM-F	8 mm / High Rib	340 mm	55±1 mm, 45-50-60 mm Adjustable	37±1 mm	3.10± kg	Bottomland	Aluminium Anodized Bottomland Coating	Bottomland	2+1x12/89 Extendable	Trigger Safety	Special Polyurethane	Trigger Safety, Automatic Locking System, Anti-Repeat System	Fiber Optic Sight	Special Polyurethane Pad
Inter Super Magnum Bottomland Bronze	12 GA 3.5"	89 mm	Kinetic Drive Inertial System Semiautomatic, Rotating Bolt	61-66-71-76 cm	Chrome-Lined, 4140 Steel Inter Bored Barrel	5 InterPro C-IC-M-IM-F	8 mm / High Rib	340 mm	55±1 mm, 45-50-60 mm Adjustable	37±1 mm	3.10± kg	Bottomland	Aluminium Anodized Cerakote Coating	Bottomland	2+1x12/89 Extendable	Trigger Safety	Special Polyurethane	Trigger Safety, Automatic Locking System, Anti-Repeat System	Fiber Optic Sight	Special Polyurethane Pad
Inter Super Magnum Timber	12 GA 3.5"	89 mm	Kinetic Drive Inertial System Semiautomatic, Rotating Bolt	61-66-71-76 cm	Chrome-Lined, 4140 Steel Inter Bored Barrel	5 InterPro C-IC-M-IM-F	8 mm / High Rib	340 mm	55±1 mm, 45-50-60 mm Adjustable	37±1 mm	3.10± kg	Timber	Aluminium Anodized Timber Coating	Timber	2+1x12/89 Extendable	Trigger Safety	Special Polyurethane	Trigger Safety, Automatic Locking System, Anti-Repeat System	Fiber Optic Sight	Special Polyurethane Pad
Inter Super Magnum Timber Bronze	12 GA 3.5"	89 mm	Kinetic Drive Inertial System Semiautomatic, Rotating Bolt	61-66-71-76 cm	Chrome-Lined, 4140 Steel Inter Bored Barrel	5 InterPro C-IC-M-IM-F	8 mm / High Rib	340 mm	55±1 mm, 45-50-60 mm Adjustable	37±1 mm	3.10± kg	Timber	Aluminium Anodized Cerakote Coating	Timber	2+1x12/89 Extendable	Trigger Safety	Special Polyurethane	Trigger Safety, Automatic Locking System, Anti-Repeat System	Fiber Optic Sight	Special Polyurethane Pad
Inter Super Magnum Camo Max5	12 GA 3.5"	89 mm	Kinetic Drive Inertial System Semiautomatic, Rotating Bolt	61-66-71-76 cm	Chrome-Lined, 4140 Steel Inter Bored Barrel	5 InterPro C-IC-M-IM-F	8 mm / High Rib	340 mm	55±1 mm, 45-50-60 mm Adjustable	37±1 mm	3.10± kg	Camo Max5	Aluminium Anodized Camo Max5 Coating	Camo Max5	2+1x12/89 Extendable	Trigger Safety	Special Polyurethane	Trigger Safety, Automatic Locking System, Anti-Repeat System	Fiber Optic Sight	Special Polyurethane Pad
Redstone Super Magnum Extra Black	12 GA 3.5"	89 mm	Kinetic Drive Inertial System Semiautomatic, Rotating Bolt	61-66-71-76 cm	Chrome-Lined, 4140 Steel Inter Bored Barrel	5 InterPro C-IC-M-IM-F	8 mm / High Rib	340 mm	55±1 mm, 45-50-60 mm Adjustable	37±1 mm	3.10± kg	Synthetic	Aluminium Anodized Cerakote Coating	Synthetic	2+1x12/89 Extendable	Trigger Safety	Special Polyurethane	Trigger Safety, Automatic Locking System, Anti-Repeat System	Fiber Optic Sight	Special Polyurethane Pad
Redstone Super Magnum Bottomland	12 GA 3.5"	89 mm	Kinetic Drive Inertial System Semiautomatic, Rotating Bolt	61-66-71-76 cm	Chrome-Lined, 4140 Steel Inter Bored Barrel	5 InterPro C-IC-M-IM-F	8 mm / High Rib	340 mm	55±1 mm, 45-50-60 mm Adjustable	37±1 mm	3.10± kg	Bottomland	Aluminium Anodized Bottomland Coating	Bottomland	2+1x12/89 Extendable	Trigger Safety	Special Polyurethane	Trigger Safety, Automatic Locking System, Anti-Repeat System	Fiber Optic Sight	Special Polyurethane Pad
Redstone Super Magnum Bottomland Bronze	12 GA 3.5"	89 mm	Kinetic Drive Inertial System Semiautomatic, Rotating Bolt	61-66-71-76 cm	Chrome-Lined, 4140 Steel Inter Bored Barrel	5 InterPro C-IC-M-IM-F	8 mm / High Rib	340 mm	55±1 mm, 45-50-60 mm Adjustable	37±1 mm	3.10± kg	Bottomland	Aluminium Anodized Cerakote Coating	Bottomland	2+1x12/89 Extendable	Trigger Safety	Special Polyurethane	Trigger Safety, Automatic Locking System, Anti-Repeat System	Fiber Optic Sight	Special Polyurethane Pad
Redstone Super Magnum Timber	12 GA 3.5"	89 mm	Kinetic Drive Inertial System Semiautomatic, Rotating Bolt	61-66-71-76 cm	Chrome-Lined, 4140 Steel Inter Bored Barrel	5 InterPro C-IC-M-IM-F	8 mm / High Rib	340 mm	55±1 mm, 45-50-60 mm Adjustable	37±1 mm	3.10± kg	Timber	Aluminium Anodized Timber Coating	Timber	2+1x12/89 Extendable	Trigger Safety	Special Polyurethane	Trigger Safety, Automatic Locking System, Anti-Repeat System	Fiber Optic Sight	Special Polyurethane Pad
Redstone Super Magnum Timber Bronze	12 GA 3.5"	89 mm	Kinetic Drive Inertial System Semiautomatic, Rotating Bolt	61-66-71-76 cm	Chrome-Lined, 4140 Steel Inter Bored Barrel	5 InterPro C-IC-M-IM-F	8 mm / High Rib	340 mm	55±1 mm, 45-50-60 mm Adjustable	37±1 mm	3.10± kg	Timber	Aluminium Anodized Cerakote Coating	Timber	2+1x12/89 Extendable	Trigger Safety	Special Polyurethane	Trigger Safety, Automatic Locking System, Anti-Repeat System	Fiber Optic Sight	Special Polyurethane Pad
Redstone Super Magnum Camo Max5	12 GA 3.5"	89 mm	Kinetic Drive Inertial System Semiautomatic, Rotating Bolt	61-66-71-76 cm	Chrome-Lined, 4140 Steel Inter Bored Barrel	5 InterPro C-IC-M-IM-F	8 mm / High Rib	340 mm	55±1 mm, 45-50-60 mm Adjustable	37±1 mm	3.10± kg	Camo Max5	Aluminium Anodized Camo Max5 Coating	Camo Max5	2+1x12/89 Extendable	Trigger Safety	Special Polyurethane	Trigger Safety, Automatic Locking System, Anti-Repeat System	Fiber Optic Sight	Special Polyurethane Pad



OVER/UNDER

aselkon
prosport

the most
COMFORT POWER

INERTIA
TECHNOLOGY

1500
BAR



INTER.
BALANCED

INTERPROCHOKE

INTERBOREDBARREL

COMFORT
RECOIL

LUXURY
WOOD



ASK 22 Black



ASK 22 Silver



ASK 22 Bronze



ASK 22 Tempered



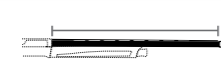
Gauge



Chamber



Extraction System



Barrel length



Barrel



Choke



Rib



Stock length



Drop at heel



Drop at comb



Weight



Forend



Receiver



Stock



Magazine Capacity



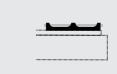
Safety



Trigger Guard



Trigger



Sight



Recoil Pad

	Gauge	Chamber	Extraction System	Barrel length	Barrel	Choke	Rib	Stock length	Drop at heel	Drop at comb	Weight	Forend	Receiver	Stock	Magazine Capacity	Safety	Trigger Guard	Trigger	Sight	Recoil Pad
ASK-22 BLACK	12 GA 3"	76 mm	Extractor	61-66-71-76	Chrome-Lined, 4140 Steel Inter Bored O/U Barrel	5 InterPro C-IC-M-IM-F	8 mm	340 mm	55±1 mm, 45-50-60 mm Adjustable	37±1 mm	3.00± kg	Turkish Luxry Walnut	4140 Forged Steel/ Chrome Coated	Turkish Luxry Walnut	2 (O/U)	Trigger Safety	Steel	Single Selective O/U - Colour Options: Silver-Black-Gold	Fiberoptic Rear Sight	Special Polyurethane Pad
ASK-22 SILVER	12 GA 3"	76 mm	Extractor	61-66-71-76	Chrome-Lined, 4140 Steel Inter Bored O/U Barrel	5 InterPro C-IC-M-IM-F	8 mm	340 mm	55±1 mm, 45-50-60 mm Adjustable	37±1 mm	3.00± kg	Turkish Luxry Walnut	4140 Forged Steel/ Chrome Coated	Turkish Luxry Walnut	2 (O/U)	Trigger Safety	Steel	Single Selective O/U - Colour Options: Silver-Black-Gold	Fiberoptic Rear Sight	Special Polyurethane Pad
ASK-22 BRONZE	12 GA 3"	76 mm	Extractor	61-66-71-76	Chrome-Lined, 4140 Steel Inter Bored O/U Barrel	5 InterPro C-IC-M-IM-F	8 mm	340 mm	55±1 mm, 45-50-60 mm Adjustable	37±1 mm	3.00± kg	Turkish Luxry Walnut	4140 Forged Steel/ Chrome Coated	Turkish Luxry Walnut	2 (O/U)	Trigger Safety	Steel	Single Selective O/U - Colour Options: Silver-Black-Gold	Fiberoptic Rear Sight	Special Polyurethane Pad
ASK-22 TEMPERED	12 GA 3"	76 mm	Extractor	61-66-71-76	Chrome-Lined, 4140 Steel Inter Bored O/U Barrel	5 InterPro C-IC-M-IM-F	8 mm	340 mm	55±1 mm, 45-50-60 mm Adjustable	37±1 mm	3.00± kg	Turkish Luxry Walnut	4140 Forged Steel/ Chrome Coated	Turkish Luxry Walnut	2 (O/U)	Trigger Safety	Steel	Single Selective O/U - Colour Options: Silver-Black-Gold	Fiberoptic Rear Sight	Special Polyurethane Pad



ASK 23 Black



ASK 23 Silver



ASK 23 Bronze



ASK 23 Tempered



Gauge



Chamber



Extraction System



Barrel length



Barrel



Choke



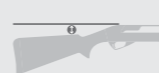
Rib



Stock length



Drop at heel



Drop at comb



Weight



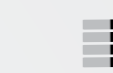
Forend



Receiver



Stock



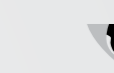
Magazine Capacity



Safety



Trigger Guard



Trigger



Sight



Recoil Pad

	Gauge	Chamber	Extraction System	Barrel length	Barrel	Choke	Rib	Stock length	Drop at heel	Drop at comb	Weight	Forend	Receiver	Stock	Magazine Capacity	Safety	Trigger Guard	Trigger	Sight	Recoil Pad
ASK-23 BLACK	12 GA 3"	76 mm	Automatic Ejector	61-66-71-76	Chrome-Lined, 4140 Steel Inter Bored O/U Barrel	5 InterPro C-IC-M-IM-F	8 mm	340 mm	55±1 mm, 45-50-60 mm Adjustable	37±1 mm	3.00± kg	Turkish Luxry Walnut	4140 Forged Steel/ Chrome Coated	Turkish Luxry Walnut	2 (O/U)	Trigger Safety	Steel	Single Selective O/U - Colour Options: Silver-Black-Gold	Fiberoptic Rear Sight	Special Polyurethane Pad
ASK-23 SILVER	12 GA 3"	76 mm	Automatic Ejector	61-66-71-76	Chrome-Lined, 4140 Steel Inter Bored O/U Barrel	5 InterPro C-IC-M-IM-F	8 mm	340 mm	55±1 mm, 45-50-60 mm Adjustable	37±1 mm	3.00± kg	Turkish Luxry Walnut	4140 Forged Steel/ Chrome Coated	Turkish Luxry Walnut	2 (O/U)	Trigger Safety	Steel	Single Selective O/U - Colour Options: Silver-Black-Gold	Fiberoptic Rear Sight	Special Polyurethane Pad
ASK-23 BRONZE	12 GA 3"	76 mm	Automatic Ejector	61-66-71-76	Chrome-Lined, 4140 Steel Inter Bored O/U Barrel	5 InterPro C-IC-M-IM-F	8 mm	340 mm	55±1 mm, 45-50-60 mm Adjustable	37±1 mm	3.00± kg	Turkish Luxry Walnut	4140 Forged Steel/ Chrome Coated	Turkish Luxry Walnut	2 (O/U)	Trigger Safety	Steel	Single Selective O/U - Colour Options: Silver-Black-Gold	Fiberoptic Rear Sight	Special Polyurethane Pad
ASK-23 TEMPERED	12 GA 3"	76 mm	Automatic Ejector	61-66-71-76	Chrome-Lined, 4140 Steel Inter Bored O/U Barrel	5 InterPro C-IC-M-IM-F	8 mm	340 mm	55±1 mm, 45-50-60 mm Adjustable	37±1 mm	3.00± kg	Turkish Luxry Walnut	4140 Forged Steel/ Chrome Coated	Turkish Luxry Walnut	2 (O/U)	Trigger Safety	Steel	Single Selective O/U - Colour Options: Silver-Black-Gold	Fiberoptic Rear Sight	Special Polyurethane Pad



TACTICAL



TACTICAL

the most
COMFORT POWER

- INERTIA TECHNOLOGY
- 1500 BAR
- EASY LOAD
- INTER. BALANCED
- INTERPROCHOKE
- INTERBORED BARREL
- COMFORT RECOIL



IT 1-G-EXTRA BLACK



IT 1-EXTRA BLACK



IT 1-G-BOTTOMLAND BRONZ



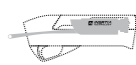
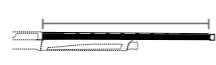



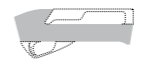


IT 1-G-BOTTOMLAND



IT 1-GV-EXTRA BLACK



IT 1-GV-BOTTOMLAND

	 Gauge	 Chamber	 Action	 Barrel length	 Barrel	 Choke	 Rib	 Stock length	 Drop at heel	 Drop at comb	 Weight	 Forend	 Receiver	 Stock	 Magazine Capacity	 Safety	 Trigger Guard	 Trigger	 Sight	 Recoil Pad
IT1 EXTRA BLACK SEMI-AUTOMATIC	12 GA 3"	76 mm	Kinetic Drive Inertial System Semiautomatic, Rotating Bolt	47-61-66 cm	Chrome-Lined, 4140 Steel Inter Bored Barrel	1 InterPro C	Tactical	340 mm	55±1 mm, 45-50-60 mm Adjustable	37±1 mm	2.85± kg	Synthetic	Aluminium Anodized/ Cerakote Coating	Synthetic	4+1	Trigger Safety	Special Polyurethane	Trigger Safety, Automatic Locking System, Anti-Repeat System	Tactical Sight, Ghost Ring Rear Sight	Special Polyurethane Pad
IT1-G EXTRA BLACK SEMI-AUTOMATIC	12 GA 3"	76 mm	Kinetic Drive Inertial System Semiautomatic, Rotating Bolt	47-61-66 cm	Chrome-Lined, 4140 Steel Inter Bored Barrel	1 InterPro C	Tactical	340 mm	55±1 mm, 45-50-60 mm Adjustable	37±1 mm	2.85± kg	Synthetic	Aluminium Anodized/ Cerakote Coating	Synthetic	4+1	Trigger Safety	Special Polyurethane	Trigger Safety, Automatic Locking System, Anti-Repeat System	Tactical Sight, Ghost Ring Rear Sight	Special Polyurethane Pad
IT1-G BOTTOMLAND	12 GA 3"	76 mm	Kinetic Drive Inertial System Semiautomatic, Rotating Bolt	47-61-66 cm	Chrome-Lined, 4140 Steel Inter Bored Barrel	1 InterPro C	Tactical	340 mm	55±1 mm, 45-50-60 mm Adjustable	37±1 mm	2.85± kg	Bottomland	Aluminium Anodized/ Bottomland Coating	Bottomland	4+1	Trigger Safety	Special Polyurethane	Trigger Safety, Automatic Locking System, Anti-Repeat System	Tactical Sight, Ghost Ring Rear Sight	Special Polyurethane Pad
IT1-G BOTTOMLAND BRONZE	12 GA 3"	76 mm	Kinetic Drive Inertial System Semiautomatic, Rotating Bolt	47-61-66 cm	Chrome-Lined, 4140 Steel Inter Bored Barrel	1 InterPro C	Tactical	340 mm	55±1 mm, 45-50-60 mm Adjustable	37±1 mm	2.85± kg	Bottomland	Aluminium Anodized/ Cerakote Coating	Bottomland	4+1	Trigger Safety	Special Polyurethane	Trigger Safety, Automatic Locking System, Anti-Repeat System	Tactical Sight, Ghost Ring Rear Sight	Special Polyurethane Pad
IT1-GV EXTRA BLACK	12 GA 3"	76 mm	Kinetic Drive Inertial System Semiautomatic, Rotating Bolt	47-61-66 cm	Chrome-Lined, 4140 Steel Inter Bored Barrel	1 InterPro C	Tactical	340 mm	55±1 mm, 45-50-60 mm Adjustable	37±1 mm	2.85± kg	Synthetic	Aluminium Anodized/ Cerakote Coating	Synthetic	4+1	Trigger Safety	Special Polyurethane	Trigger Safety, Automatic Locking System, Anti-Repeat System	Fiber Optic Sight	Special Polyurethane Pad
IT1-GV BOTTOMLAND	12 GA 3"	76 mm	Kinetic Drive Inertial System Semiautomatic, Rotating Bolt	47-61-66 cm	Chrome-Lined, 4140 Steel Inter Bored Barrel	1 InterPro C	8 mm	340 mm	55±1 mm, 45-50-60 mm Adjustable	37±1 mm	2.85± kg	Bottomland	Aluminium Anodized/ Bottomland Coating	Bottomland	4+1	Trigger Safety	Special Polyurethane	Trigger Safety, Automatic Locking System, Anti-Repeat System	Fiber Optic Sight	Special Polyurethane Pad

STATO4 MODELS

HYBRID



the most
COMFORT POWER

INERTIA
TECHNOLOGY

1500
BAR

EASY
LOAD

INTER.
BALANCED

INTERPROCHOKE

INTERBORED BARREL

COMFORT
RECOIL



HYBRID SYSTEM

Gas powered automatic system. It consists of a self-regulating gas system with a short-stroke piston. It is placed at the bottom of the chamber, near the chamber, to use the hottest gases at a higher pressure.

Gases exiting the barrel expand (in the self-adjusting gas system) and rapidly accelerate the stroke of the piston, which simultaneously strikes the bolt follower pin and pushes it hard enough to cause it to retract. The gas inlet valve is self-regulating as it acts as a regulating valve that expels excess gas during ignition.

The larger the volume of gas flowing through the barrel, the faster the pin valve opens and lets it out, thereby reducing the pressure inside. Self-adjusting, it guarantees shooting accuracy, reliability, durability and certifies Aselkon's technological excellence.



TWIN PISTON/ DOUBLE PISTON

The pistons are required to move only 1/2" for complete cycling which results in a faster operation with minimum vibration and quick target acquisition.

1500 BAR

Each Aselkon barrel is subjected to a proof test with 1500 BAR high pressure test cartridge before leaving our factory.

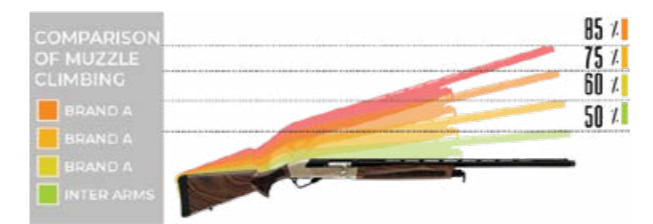
EASY LOAD

The receiver is fitted with a generously sized charging handle and bolt release as well as a beveled loading port with an outward angled cartridge drop lever insuring the inter is easy to operate even with gloved hands.



INTERPROCHOKE

We engineered the interchangeable InterPro Chokes to maximize the constancy of shot placement through reduced friction that enhances load speeds.



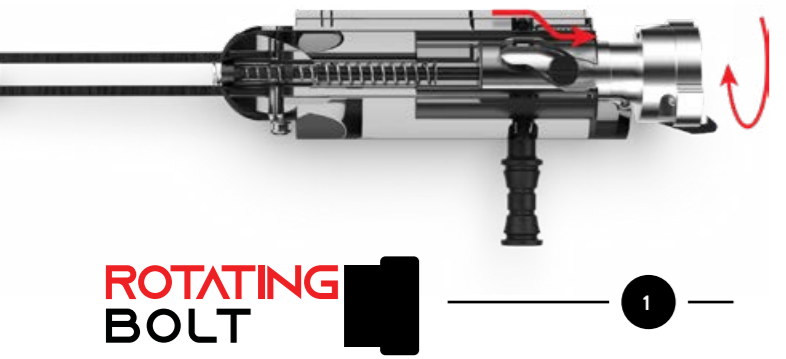
INTER. BALANCED

The center of gravity is balanced on the forend to ensure a comfortable carry and practical shooting.



COMFORT RECOIL

The recoil pad is designed for comfort and fast shouldering with high tech microcell material. It's not only a shotgun, it's an experience.



ROTATING BOLT



STATO 4 EXTRA BLACK



STATO 4-G-EXTRA BLACK



STATO 4-GT-EXTRA BLACK



STATO 4 SANDSTORM



STATO 4-G-SANDSTORM



STATO 4-GT-SANDSTORM





STATO 4 TITANIUM



STATO 4 NATO GREEN



STATO 4-G-TITANIUM



STATO 4-G-NATO GREEN



STATO 4-GT-TITANIUM



STATO 4-GT-NATO GREEN



																				
	Gauge	Chamber	Action	Barrel length	Barrel	Choke	Rib	Stock length	Drop at heel	Drop at comb	Weight	Forend	Receiver	Stock	Magazine Capacity	Safety	Trigger Guard	Trigger	Sight	Recoil Pad
STATO4Black	12 GA 3"	76 mm	Hybrid System, Twin Piston Gas Operated	47 Cm	Chrome-Lined, 4140 Steel Inter Bored Barrel	1 InterPro C	Tactical	340 mm	55±1 mm, 45-50-60 mm Adjustable	37±1 mm	3.55± kg	Synthetic	Aluminium Anodized/ Cerakote Coating	Synthetic	5+1 / 7+1 x 12/76	Trigger Safety	Special Polyurethane	Trigger Safety, Automatic Locking System, Anti-Repeat System	Tactical Sight, Ghost Ring Rear Sight	Special Polyurethane Pad
STATO4-GBlack	12 GA 3"	76 mm	Hybrid System, Twin Piston Gas Operated	47 Cm	Chrome-Lined, 4140 Steel Inter Bored Barrel	1 InterPro C	Tactical	340 mm	55±1 mm, 45-50-60 mm Adjustable	37±1 mm	3.55± kg	Synthetic	Aluminium Anodized/ Cerakote Coating	Tactical Pistol Grip	5+1 / 7+1 x 12/76	Trigger Safety	Special Polyurethane	Trigger Safety, Automatic Locking System, Anti-Repeat System	Tactical Sight, Ghost Ring Rear Sight	Special Polyurethane Pad
STATO4-GTBlack	12 GA 3"	76 mm	Hybrid System, Twin Piston Gas Operated	47 Cm	Chrome-Lined, 4140 Steel Inter Bored Barrel	1 InterPro C	Tactical	Telescopic -Adjustable	55±1 mm, 45-50-60 mm Adjustable	37±1 mm	3.55± kg	Synthetic	Aluminium Anodized/ Cerakote Coating	Tactical Telescopic	5+1 / 7+1 x 12/76	Trigger Safety	Special Polyurethane	Trigger Safety, Automatic Locking System, Anti-Repeat System	Tactical Sight, Ghost Ring Rear Sight	Special Polyurethane Pad
STATO4Sandstorm	12 GA 3"	76 mm	Hybrid System, Twin Piston Gas Operated	47 Cm	Chrome-Lined, 4140 Steel Inter Bored Barrel	1 InterPro C	Tactical	340 mm	55±1 mm, 45-50-60 mm Adjustable	37±1 mm	3.55± kg	Synthetic	Aluminium Anodized/ Cerakote Coating	Synthetic	5+1 / 7+1 x 12/76	Trigger Safety	Special Polyurethane	Trigger Safety, Automatic Locking System, Anti-Repeat System	Tactical Sight, Ghost Ring Rear Sight	Special Polyurethane Pad
STATO4-GSandstorm	12 GA 3"	76 mm	Hybrid System, Twin Piston Gas Operated	47 Cm	Chrome-Lined, 4140 Steel Inter Bored Barrel	1 InterPro C	Tactical	340 mm	55±1 mm, 45-50-60 mm Adjustable	37±1 mm	3.55± kg	Synthetic	Aluminium Anodized/ Cerakote Coating	Tactical Pistol Grip	5+1 / 7+1 x 12/76	Trigger Safety	Special Polyurethane	Trigger Safety, Automatic Locking System, Anti-Repeat System	Tactical Sight, Ghost Ring Rear Sight	Special Polyurethane Pad
STATO4-GTSandstorm	12 GA 3"	76 mm	Hybrid System, Twin Piston Gas Operated	47 Cm	Chrome-Lined, 4140 Steel Inter Bored Barrel	1 InterPro C	Tactical	Telescopic -Adjustable	55±1 mm, 45-50-60 mm Adjustable	37±1 mm	3.55± kg	Synthetic	Aluminium Anodized/ Cerakote Coating	Tactical Telescopic	5+1 / 7+1 x 12/76	Trigger Safety	Special Polyurethane	Trigger Safety, Automatic Locking System, Anti-Repeat System	Tactical Sight, Ghost Ring Rear Sight	Special Polyurethane Pad
STATO4NatoGreen	12 GA 3"	76 mm	Hybrid System, Twin Piston Gas Operated	47 Cm	Chrome-Lined, 4140 Steel Inter Bored Barrel	1 InterPro C	Tactical	340 mm	55±1 mm, 45-50-60 mm Adjustable	37±1 mm	3.55± kg	Synthetic	Aluminium Anodized/ Cerakote Coating	Synthetic	5+1 / 7+1 x 12/76	Trigger Safety	Special Polyurethane	Trigger Safety, Automatic Locking System, Anti-Repeat System	Tactical Sight, Ghost Ring Rear Sight	Special Polyurethane Pad
STATO4-GNatoGreen	12 GA 3"	76 mm	Hybrid System, Twin Piston Gas Operated	47 Cm	Chrome-Lined, 4140 Steel Inter Bored Barrel	1 InterPro C	Tactical	340 mm	55±1 mm, 45-50-60 mm Adjustable	37±1 mm	3.55± kg	Synthetic	Aluminium Anodized/ Cerakote Coating	Tactical Pistol Grip	5+1 / 7+1 x 12/76	Trigger Safety	Special Polyurethane	Trigger Safety, Automatic Locking System, Anti-Repeat System	Tactical Sight, Ghost Ring Rear Sight	Special Polyurethane Pad
STATO4-GTNatoGreen	12 GA 3"	76 mm	Hybrid System, Twin Piston Gas Operated	47 Cm	Chrome-Lined, 4140 Steel Inter Bored Barrel	1 InterPro C	Tactical	Telescopic -Adjustable	55±1 mm, 45-50-60 mm Adjustable	37±1 mm	3.55± kg	Synthetic	Aluminium Anodized/ Cerakote Coating	Tactical Telescopic	5+1 / 7+1 x 12/76	Trigger Safety	Special Polyurethane	Trigger Safety, Automatic Locking System, Anti-Repeat System	Tactical Sight, Ghost Ring Rear Sight	Special Polyurethane Pad
STATO4Titanium	12 GA 3"	76 mm	Hybrid System, Twin Piston Gas Operated	47 Cm	Chrome-Lined, 4140 Steel Inter Bored Barrel	1 InterPro C	Tactical	340 mm	55±1 mm, 45-50-60 mm Adjustable	37±1 mm	3.55± kg	Synthetic	Aluminium Anodized/ Cerakote Coating	Synthetic	5+1 / 7+1 x 12/76	Trigger Safety	Special Polyurethane	Trigger Safety, Automatic Locking System, Anti-Repeat System	Tactical Sight, Ghost Ring Rear Sight	Special Polyurethane Pad
STATO4-GTitanium	12 GA 3"	76 mm	Hybrid System, Twin Piston Gas Operated	47 Cm	Chrome-Lined, 4140 Steel Inter Bored Barrel	1 InterPro C	Tactical	340 mm	55±1 mm, 45-50-60 mm Adjustable	37±1 mm	3.55± kg	Synthetic	Aluminium Anodized/ Cerakote Coating	Tactical Pistol Grip	5+1 / 7+1 x 12/76	Trigger Safety	Special Polyurethane	Trigger Safety, Automatic Locking System, Anti-Repeat System	Tactical Sight, Ghost Ring Rear Sight	Special Polyurethane Pad
STATO4-GTTitanium	12 GA 3"	76 mm	Hybrid System, Twin Piston Gas Operated	47 Cm	Chrome-Lined, 4140 Steel Inter Bored Barrel	1 InterPro C	Tactical	Telescopic -Adjustable	55±1 mm, 45-50-60 mm Adjustable	37±1 mm	3.55± kg	Synthetic	Aluminium Anodized/ Cerakote Coating	Tactical Telescopic	5+1 / 7+1 x 12/76	Trigger Safety	Special Polyurethane	Trigger Safety, Automatic Locking System, Anti-Repeat System	Tactical Sight, Ghost Ring Rear Sight	Special Polyurethane Pad



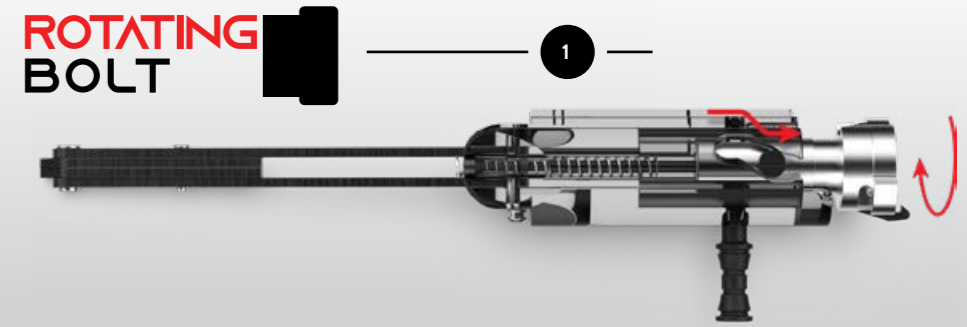
STATO3 MODELS

HYBRID



the most
COMFORT POWER

- INERTIA TECHNOLOGY
- 1500 BAR
- EASY LOAD
- INTER BALANCED
- INTERPROCHOKE
- INTERBORED BARREL
- COMFORT RECOIL



HYBRID SYSTEM

S3 is a pump action: S3 is one of the best possible choice for any operational or defense requirement. This is thanks to its flexible use (lethal and less than lethal ammos), easy handling, precision and high firing volume.

The interchangeable stocks-fixed drop, variable drop and pistol grip-only increase the versatility of this weapon.

EXTRA RAIL

The new forearm with multi rail system allows the mount of mini-rails (5-slots) all over at 3/6/9/12 o'clock.

EASY LOAD

3

The receiver is fitted with a generously sized charging handle and bolt release as well as a beveled loading port with an outward angled cartridge drop lever insuring the inter is easy to operate even with gloved hands.

1500 BAR

4

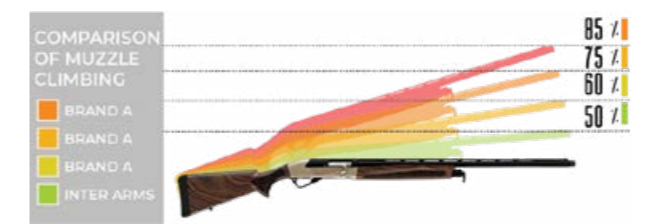
Each Aselkon barrel is subjected to a proof test with 1500 BAR high pressure test cartridge before leaving our factory.



INTERPROCHOKE

5

We engineered the interchangeable InterPro Chokes to maximize the constancy of shot placement through reduced friction that enhances load speeds.



.INTER. BALANCED

6

The center of gravity is balanced on the forend to ensure a comfortable carry and practical shooting.

COMFORT RECOIL

7

The recoil pad is designed for comfort and fast shouldering with high tech microcell material. It's not only a shotgun, it's an experience.



STATO 3 EXTRA BLACK



STATO 3-G-EXTRA BLACK



STATO 3-GT-EXTRA BLACK



STATO 3 SANDSTORM



STATO 3-G-SANDSTORM



STATO 3-GT-SANDSTORM



STATO 3 TITANIUM



STATO 3 NATO GREEN



STATO 3-G-TITANIUM



STATO 3-G-NATO GREEN



STATO 3-GT-TITANIUM



STATO 3-GT-NATO GREEN



	Gauge	Chamber	Action	Barrel length	Barrel	Choke	Rib	Stock length	Drop at heel	Drop at comb	Weight	Forend	Receiver	Stock	Magazine Capacity	Safety	Trigger Guard	Trigger	Sight	Recoil Pad
STATO 3 Black	12 GA 3"	76 mm	Hybrid Pump Action	47 Cm	Chrome-Lined, 4140 Steel Inter Bored Barrel	1 InterPro C	Tactical	340 mm	55±1 mm, 45-50-60 mm Adjustable	37±1 mm	3.55± kg	Synthetic	Aluminium Anodized/ Cerakote Coating	Synthetic	5+1 / 7+1 x 12/76	Trigger Safety	Special Polyurethane	Trigger Safety, Automatic Locking System, Anti-Repeat System	Tactical Sight, Ghost Ring Rear Sight	Special Polyurethane Pad
STATO 3-G Black	12 GA 3"	76 mm	Hybrid Pump Action	47 Cm	Chrome-Lined, 4140 Steel Inter Bored Barrel	1 InterPro C	Tactical	340 mm	55±1 mm, 45-50-60 mm Adjustable	37±1 mm	3.55± kg	Synthetic	Aluminium Anodized/ Cerakote Coating	Tactical Pistol Grip	5+1 / 7+1 x 12/76	Trigger Safety	Special Polyurethane	Trigger Safety, Automatic Locking System, Anti-Repeat System	Tactical Sight, Ghost Ring Rear Sight	Special Polyurethane Pad
STATO 3-GT Black	12 GA 3"	76 mm	Hybrid Pump Action	47 Cm	Chrome-Lined, 4140 Steel Inter Bored Barrel	1 InterPro C	Tactical	Telescopic -Adjustable	55±1 mm, 45-50-60 mm Adjustable	37±1 mm	3.55± kg	Synthetic	Aluminium Anodized/ Cerakote Coating	Tactical Telescopic	5+1 / 7+1 x 12/76	Trigger Safety	Special Polyurethane	Trigger Safety, Automatic Locking System, Anti-Repeat System	Tactical Sight, Ghost Ring Rear Sight	Special Polyurethane Pad
STATO 3 Sandstorm	12 GA 3"	76 mm	Hybrid Pump Action	47 Cm	Chrome-Lined, 4140 Steel Inter Bored Barrel	1 InterPro C	Tactical	340 mm	55±1 mm, 45-50-60 mm Adjustable	37±1 mm	3.55± kg	Synthetic	Aluminium Anodized/ Cerakote Coating	Synthetic	5+1 / 7+1 x 12/76	Trigger Safety	Special Polyurethane	Trigger Safety, Automatic Locking System, Anti-Repeat System	Tactical Sight, Ghost Ring Rear Sight	Special Polyurethane Pad
STATO 3-G Sandstorm	12 GA 3"	76 mm	Hybrid Pump Action	47 Cm	Chrome-Lined, 4140 Steel Inter Bored Barrel	1 InterPro C	Tactical	340 mm	55±1 mm, 45-50-60 mm Adjustable	37±1 mm	3.55± kg	Synthetic	Aluminium Anodized/ Cerakote Coating	Tactical Pistol Grip	5+1 / 7+1 x 12/76	Trigger Safety	Special Polyurethane	Trigger Safety, Automatic Locking System, Anti-Repeat System	Tactical Sight, Ghost Ring Rear Sight	Special Polyurethane Pad
STATO 3-GT Sandstorm	12 GA 3"	76 mm	Hybrid Pump Action	47 Cm	Chrome-Lined, 4140 Steel Inter Bored Barrel	1 InterPro C	Tactical	Telescopic -Adjustable	55±1 mm, 45-50-60 mm Adjustable	37±1 mm	3.55± kg	Synthetic	Aluminium Anodized/ Cerakote Coating	Tactical Telescopic	5+1 / 7+1 x 12/76	Trigger Safety	Special Polyurethane	Trigger Safety, Automatic Locking System, Anti-Repeat System	Tactical Sight, Ghost Ring Rear Sight	Special Polyurethane Pad
STATO 3 Nato Green	12 GA 3"	76 mm	Hybrid Pump Action	47 Cm	Chrome-Lined, 4140 Steel Inter Bored Barrel	1 InterPro C	Tactical	340 mm	55±1 mm, 45-50-60 mm Adjustable	37±1 mm	3.55± kg	Synthetic	Aluminium Anodized/ Cerakote Coating	Synthetic	5+1 / 7+1 x 12/76	Trigger Safety	Special Polyurethane	Trigger Safety, Automatic Locking System, Anti-Repeat System	Tactical Sight, Ghost Ring Rear Sight	Special Polyurethane Pad
STATO 3-G Nato Green	12 GA 3"	76 mm	Hybrid Pump Action	47 Cm	Chrome-Lined, 4140 Steel Inter Bored Barrel	1 InterPro C	Tactical	340 mm	55±1 mm, 45-50-60 mm Adjustable	37±1 mm	3.55± kg	Synthetic	Aluminium Anodized/ Cerakote Coating	Tactical Pistol Grip	5+1 / 7+1 x 12/76	Trigger Safety	Special Polyurethane	Trigger Safety, Automatic Locking System, Anti-Repeat System	Tactical Sight, Ghost Ring Rear Sight	Special Polyurethane Pad
STATO 3-GT Nato Green	12 GA 3"	76 mm	Hybrid Pump Action	47 Cm	Chrome-Lined, 4140 Steel Inter Bored Barrel	1 InterPro C	Tactical	Telescopic -Adjustable	55±1 mm, 45-50-60 mm Adjustable	37±1 mm	3.55± kg	Synthetic	Aluminium Anodized/ Cerakote Coating	Tactical Telescopic	5+1 / 7+1 x 12/76	Trigger Safety	Special Polyurethane	Trigger Safety, Automatic Locking System, Anti-Repeat System	Tactical Sight, Ghost Ring Rear Sight	Special Polyurethane Pad
STATO 3 Titanium	12 GA 3"	76 mm	Hybrid Pump Action	47 Cm	Chrome-Lined, 4140 Steel Inter Bored Barrel	1 InterPro C	Tactical	340 mm	55±1 mm, 45-50-60 mm Adjustable	37±1 mm	3.55± kg	Synthetic	Aluminium Anodized/ Cerakote Coating	Synthetic	5+1 / 7+1 x 12/76	Trigger Safety	Special Polyurethane	Trigger Safety, Automatic Locking System, Anti-Repeat System	Tactical Sight, Ghost Ring Rear Sight	Special Polyurethane Pad
STATO 3-G Titanium	12 GA 3"	76 mm	Hybrid Pump Action	47 Cm	Chrome-Lined, 4140 Steel Inter Bored Barrel	1 InterPro C	Tactical	340 mm	55±1 mm, 45-50-60 mm Adjustable	37±1 mm	3.55± kg	Synthetic	Aluminium Anodized/ Cerakote Coating	Tactical Pistol Grip	5+1 / 7+1 x 12/76	Trigger Safety	Special Polyurethane	Trigger Safety, Automatic Locking System, Anti-Repeat System	Tactical Sight, Ghost Ring Rear Sight	Special Polyurethane Pad
STATO 3-GT Titanium	12 GA 3"	76 mm	Hybrid Pump Action	47 Cm	Chrome-Lined, 4140 Steel Inter Bored Barrel	1 InterPro C	Tactical	Telescopic -Adjustable	55±1 mm, 45-50-60 mm Adjustable	37±1 mm	3.55± kg	Synthetic	Aluminium Anodized/ Cerakote Coating	Tactical Telescopic	5+1 / 7+1 x 12/76	Trigger Safety	Special Polyurethane	Trigger Safety, Automatic Locking System, Anti-Repeat System	Tactical Sight, Ghost Ring Rear Sight	Special Polyurethane Pad



ASK 12



the most
COMFORT POWER

INERTIA
TECHNOLOGY

1500
BAR



INTER.
BALANCED

INTERPLUSCHOKE

INTERBOREDBARREL



ASK 12 Khaki Green



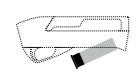
ASK 12 Black



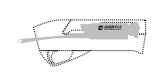
ASK 12 Desert



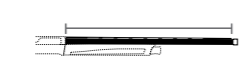
Gauge



Chamber



Action



Barrel length



Barrel



Choke



Rib



Stock length



Drop at heel



Drop at comb



Weight



Forend



Receiver



Stock



Magazine Capacity



Safety



Trigger Guard



Trigger



Sight



Recoil Pad

	Gauge	Chamber	Action	Barrel length	Barrel	Choke	Rib	Stock length	Drop at heel	Drop at comb	Weight	Forend	Receiver	Stock	Magazine Capacity	Safety	Trigger Guard	Trigger	Sight	Recoil Pad
ASK 12 DESERT	12 GA 3"	76 mm	GAS OPERATED	47 Cm	Chrome-Lined, 4140 Steel Inter Bored	1 InterPro C	22 mm Picatinny	340 mm	55±1 mm, 45-50-60 mm Adjustable	37±1 mm	4.00± kg	Plastic	7075-T6 Aluminum Alloy Cerakote Coating	Composite Plastic	2+1, 5+1, 10+1	Trigger Safety	Special Polyurethane	Trigger Safety, Automatic Locking System, Anti-Repeat System	Adjustable Folding Sight	Special Polyurethane Pad
ASK 12 KHAKI GREEN	12 GA 3"	76 mm	GAS OPERATED	47 Cm	Chrome-Lined, 4140 Steel Inter Bored	1 InterPro C	22 mm Picatinny	340 mm	55±1 mm, 45-50-60 mm Adjustable	37±1 mm	4.00± kg	Plastic	7075-T6 Aluminum Alloy Cerakote Coating	Composite Plastic	2+1, 5+1, 10+1	Trigger Safety	Special Polyurethane	Trigger Safety, Automatic Locking System, Anti-Repeat System	Adjustable Folding Sight	Special Polyurethane Pad
ASK 12 BLACK	12 GA 3"	76 mm	GAS OPERATED	47 Cm	Chrome-Lined, 4140 Steel Inter Bored	1 InterPro C	22 mm Picatinny	340 mm	55±1 mm, 45-50-60 mm Adjustable	37±1 mm	4.00± kg	Plastic	7075-T6 Aluminum Alloy Cerakote Coating	Composite Plastic	2+1, 5+1, 10+1	Trigger Safety	Special Polyurethane	Trigger Safety, Automatic Locking System, Anti-Repeat System	Adjustable Folding Sight	Special Polyurethane Pad

PCP Air Rifles





COMFORT RECOIL

It is a shock absorbing shoulder system made of a mixture of special polyurethane and rubber materials.

ADJUSTABLE TRIGGER

Setting the trigger distances according to the finger structure of each user; (right, left, up and down trigger setting) designed to make the trigger system.




ASELKON MANO METER

Pressure gauge showing the dry air pressure inside the tube without disturbing the visibility



SLIENCER

Specially designed muffler system to provide a quieter shot opportunity



PICATINNY 2mm

Binocular rail system in Nato standards, adapted visually and aesthetically with the body



COMFORT COMB

It is a cheek system obtained from special raw material mixtures in order to prevent slipping of the cheek during aiming and to ensure comfortable aiming while maintaining the face sensitivity.

ERGONOMIC GRIP

It is a pistol grip system designed from special materials for comfort and ease of grip.

INDEX MAGAZINE

It is a magazine system designed from special materials for automatic pellet scrolling after pellet filling.



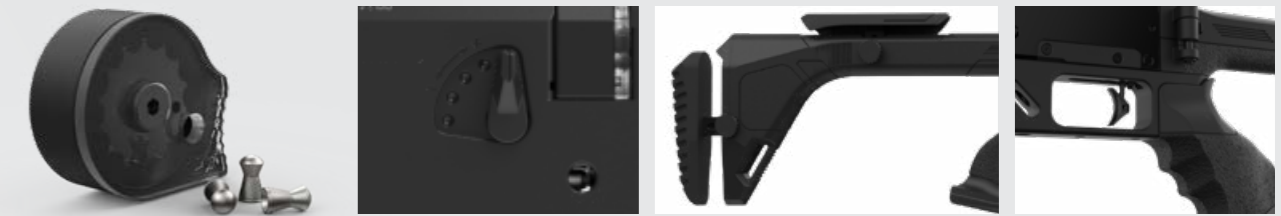


EMPERADOR LS1

EMPERADOR LS1

High precision accuracy.
 Tube can be replaceable without pressure loss.
 Improved new generation regulator enables easy and consistent setting.
 Power setting lever increase the range efficiency in use.
 Larger magazine capacity.
 Reinforced polymer stock with ergonomic rubber grip.
 Foldable Tactical Stock, adjustable cheek riser and recoil pad.

MX MAGAZINE



Caliber	Regulator	Muzzle Output Speed*	Power (Joule)	Magazine Capacity	Tube Volume	Filling Pressure	Number of Shots	Stock	Total Length	Barrel Length	Type of Barrel	Twist Rate	Weight	Scope Rail	Replacement Magazine	Colour Option	Case
4.5 mm / .177cal	Regulated 22 cc	940 FPS	24 J	22	260 cc	200 bar	90	Tactical	1020 mm (40.15)	580 mm	Rifled	1:15	3520 gr (7.76 lbs)	11 mm Dovetail Rail	Yes	Matte Black / Glossy Black	Plastic Hardcase
5.5 mm / .22 cal	Regulated 22 cc	910 FPS	41 J	18	260 cc	200 bar	80	Tactical	1020 mm (40.15)	580 mm	Rifled	1:15	3520 gr (7.76 lbs)	11 mm Dovetail Rail	Yes	Matte Black / Glossy Black	Plastic Hardcase
6.35 mm / .25 cal	Regulated 22 cc	890 FPS	61 J	15	260 cc	200 bar	65	Tactical	1020 mm (40.15)	580 mm	Rifled	1:15	3520 gr (7.76 lbs)	11 mm Dovetail Rail	Yes	Matte Black / Glossy Black	Plastic Hardcase



EMPERADOR LS2

EMPERADOR LS2

High precision accuracy.
 Tube can be replaceable without pressure loss.
 Improved new generation regulator enables easy and consistent setting.
 Power setting lever increase the range efficiency in use.
 Larger magazine capacity.
 Premium quality Turkish walnut stock.
 Ergonomic grip design.

MX MAGAZINE



Caliber	Regulator & Volume	Muzzle Output Speed*	Power (Joule)	Magazine Capacity	Tube Volume	Filling Pressure	Number of Shots	Stock	Total Length	Barrel Length	Type of Barrel	Twist Rate	Weight	Scope Rail	Replacement Magazine	Colour Option	Case
4.5 mm / .177cal	Regulated 22 cc	940 FPS	24 J	22	260 cc	200 bar	90	Turkish Luxry Walnut	820 mm (32.3)	580 mm	Rifled	1:15	3820 gr (8.42 lbs)	11 mm Dovetail	Yes	Matte Black / Glossy Black	Plastic Hardcase
5.5 mm / .22 cal	Regulated 22 cc	910 FPS	41 J	18	260 cc	200 bar	80	Turkish Luxry Walnut	820 mm (32.3)	580 mm	Rifled	1:15	3820 gr (8.42 lbs)	11 mm Dovetail	Yes	Matte Black / Glossy Black	Plastic Hardcase
6.35 mm / .25 cal	Regulated 22 cc	890 FPS	61 J	15	260 cc	200 bar	65	Turkish Luxry Walnut	820 mm (32.3)	580 mm	Rifled	1:15	3820 gr (8.42 lbs)	11 mm Dovetail	Yes	Matte Black / Glossy Black	Plastic Hardcase



EMPERADOR LS3

EMPERADOR LS3

High precision accuracy.
 Tube can be replaceable without pressure loss.
 Improved new generation regulator enables easy and consistent setting.
 Power setting lever increase the range efficiency in use.
 Premium quality Turkish walnut stock.
 Larger magazine capacity.
 Adjustable cheek riser.
 Larger magazine capacity.

MX MAGAZINE



Caliber	Regulator & Volume	Muzzle Output Speed*	Power (Joule)	Magazine Capacity	Tube Volume	Filling Pressure	Number of Shots	Stock	Total Length	Barrel Length	Type of Barrel	Twist Rate	Weight	Scope Rail	Replacement Magazine	Colour Option	Case
4.5 mm / .177cal	Regulated 22 cc	940 FPS	24 J	22	260 cc	200 bar	90	Turkish Luxry Walnut	1020 mm (40.15)	580 mm	Rifled	1:15	3600 gr (7.90 lbs)	11 mm Dovetail Rail	Yes	Matte Black / Glossy Black	Plastic Hardcase
5.5 mm / .22 cal	Regulated 22 cc	910 FPS	41 J	18	260 cc	200 bar	80	Turkish Luxry Walnut	1020 mm (40.15)	580 mm	Rifled	1:15	3600 gr (7.90 lbs)	11 mm Dovetail Rail	Yes	Matte Black / Glossy Black	Plastic Hardcase
6.35 mm / .25 cal	Regulated 22 cc	890 FPS	61 J	15	260 cc	200 bar	65	Turkish Luxry Walnut	1020 mm (40.15)	580 mm	Rifled	1:15	3600 gr (7.90 lbs)	11 mm Dovetail Rail	Yes	Matte Black / Glossy Black	Plastic Hardcase









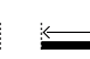









EMPERADOR LS3

EMPERADOR LS4

High precision accuracy.
 Tube can be replaceable without pressure loss.
 Improved new generation regulator enables easy and consistent setting.
 Power setting lever increase the range efficiency in use.
 Larger magazine capacity.
 Premium quality Turkish walnut stock.



 Caliber	 Regulator	 Muzzle Output Speed*	 Power (Joule)	 Magazine Capacity	 Tube Volume	 Filling Pressure	 Number of Shots	 Stock	 Total Length	 Barrel Length	 Type of Barrel	 Twist Rate	 Weight	 Scope Rail	 Replacement Magazine	Colour Option	Case
4.5 mm / .177cal	Regulated 22 cc	940 FPS	24 J	22	260 cc	200 bar	90	Turkish Luxry Walnut	1020 mm (40.15)	580 mm	Rifled	1:15	3820 gr (8.42 lbs)	11 mm Dovetail Rail	Yes	Matte Black / Glossy Black	Plastic Hardcase
5.5 mm / .22 cal	Regulated 22 cc	910 FPS	41 J	18	260 cc	200 bar	80	Turkish Luxry Walnut	1020 mm (40.15)	580 mm	Rifled	1:15	3820 gr (8.42 lbs)	11 mm Dovetail Rail	Yes	Matte Black / Glossy Black	Plastic Hardcase
6.35 mm / .25 cal	Regulated 22 cc	890 FPS	61 J	15	260 cc	200 bar	65	Turkish Luxry Walnut	1020 mm (40.15)	580 mm	Rifled	1:15	3820 gr (8.42 lbs)	11 mm Dovetail Rail	Yes	Matte Black / Glossy Black	Plastic Hardcase



MX5 JET BLACK

MX5

Side lever cocking system with manual locking system. Adjustable cheek piece soft rubber coated. Rubber grip for a better control and shooting feeling Precision rifled barrel special coated. Micro adjustable rear sight for both windage and elevation Truglo Special stainless black electsol coating.



Kinetic Energy is adjustable from **3 to 60 Joules**



MX5 MATTE BLACK

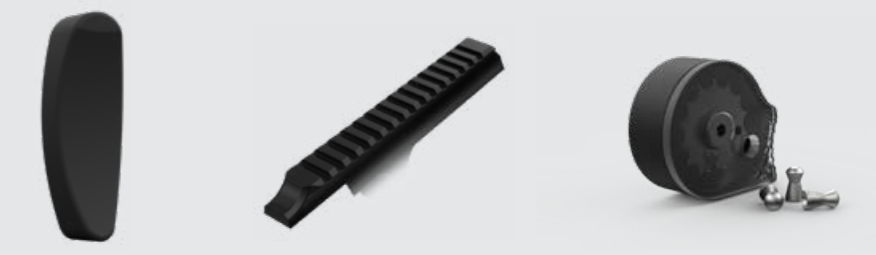
Caliber	Regulator & Volume	Muzzle Output Speed*	Power (Joule)	Magazine Capacity	Tube Volume	Filling Pressure	Number of Shots	Stock	Total Length	Barrel Length	Type of Barrel	Twist Rate	Weight	Scope Rail	Replacement Magazine	Colour Option	Case
4.5 mm / .177cal	Optional	850/900 FPS	35 J	14	320cc	200 bar	90	Turkish Luxry Walnut	1100 mm(43.30)	550mm	Rifled	1:15	3250 gr (7.16 lbs)	22 mm Picatinny Rail	Yes	Matte Black / Glossy Balck	Plastic Hardcase
5.5 mm / .22 cal	Optional	850/970 FPS	52 J	12	320cc	200 bar	80	Turkish Luxry Walnut	1100 mm(43.30)	550mm	Rifled	1:15	3250 gr (7.16 lbs)	22 mm Picatinny Rail	Yes	Matte Black / Glossy Balck	Plastic Hardcase
6.35 mm / .25 cal	Optional	840/890 FPS	62 J	10	320cc	200 bar	65	Turkish Luxry Walnut	1100 mm(43.30)	550mm	Rifled	1:15	3250 gr (7.16 lbs)	22 mm Picatinny Rail	Yes	Matte Black / Glossy Balck	Plastic Hardcase



MX6 MATTE BLACK

MX6

Side lever cocking system with manual locking system. Adjustable cheek piece soft rubber coated. Rubber grip for a better control and shooting feeling Precision rifled barrel special coated. Micro adjustable rear sight for both windage and elevation Truglo Special stainless black electsol coating.



Kinetic Energy is adjustable from **3 to 60 Joules**



MX6 JET BLACK

Caliber	Regulator	Muzzle Output Speed*	Power (Joule)	Magazine Capacity	Tube Volume	Filling Pressure	Number of Shots	Stock	Total Length	Barrel Length	Type of Barrel	Twist Rate	Weight	Scope Rail	Replacement Magazine	Colour Option	Case
4.5 mm / .177cal	Optional	850/900 FPS	35 J	14	500 cc	200 bar	90	Turkish Luxury Walnut	1100 mm(43.30)	550mm	Rifled	1:15	3250 gr (7.16 lbs)	22 mm Picatinny Rail	Yes	Matte Black / Glossy Balck	Plastic Hardcase
5.5 mm / .22 cal	Optional	870/950 FPS	52 J	12	500 cc	200 bar	80	Turkish Luxury Walnut	1100 mm(43.30)	550mm	Rifled	1:15	3250 gr (7.16 lbs)	22 mm Picatinny Rail	Yes	Matte Black / Glossy Balck	Plastic Hardcase
6.35 mm / .25 cal	Optional	840/890 FPS	62 J	10	500 cc	200 bar	65	Turkish Luxury Walnut	1100 mm(43.30)	550mm	Rifled	1:15	3250 gr (7.16 lbs)	22 mm Picatinny Rail	Yes	Matte Black / Glossy Balck	Plastic Hardcase



MX7 BLACK

MX7

Side lever cocking system with manual locking system. Adjustable cheek piece soft rubber coated. Rubber grip for a better control and shooting feeling Precision rifled barrel special coated. Micro adjustable rear sight for both windage and elevation Truglo Special stainless black elescopic coating.



Kinetic Energy is adjustable from **3 to 60 Joules**



MX7 MAX5



MX7 WOOD

Caliber	Regulator & Volume	Muzzle Output Speed*	Power (Joule)	Magazine Capacity	Tube Volume	Filling Pressure	Number of Shots	Stock	Total Length	Barrel Length	Type of Barrel	Twist Rate	Weight	Scope Rail	Replacement Magazine	Colour Option	Case
4.5 mm / .177cal	Optional	850/1100 FPS	25 J	14	320 cc	200 bar	80	Turkish Luxry Walnut Synthetic	850 mm	550mm	Rifled	1:15	2750 gr	22 mm Picatinny Rail	Yes	Matte Black / Glossy Balck	Plastic Hardcase
5.5 mm / .22 cal	Optional	850/900 FPS	49 J	12	320 cc	200 bar	70	Turkish Luxry Walnut Synthetic	850 mm	550mm	Rifled	1:15	2750 gr	22 mm Picatinny Rail	Yes	Matte Black / Glossy Balck	Plastic Hardcase
6.35 mm / .25 cal	Optional	840/890 FPS	62 J	10	320 cc	200 bar	55	Turkish Luxry Walnut Synthetic	850 mm	550mm	Rifled	1:15	2750 gr	22 mm Picatinny Rail	Yes	Matte Black / Glossy Balck	Plastic Hardcase



MX7-S MAX5

MX7-S

Side lever cocking system with manual locking system. Adjustable cheek piece soft rubber coated. Rubber grip for a better control and shooting feeling Precision rifled barrel special coated. Micro adjustable rear sight for both windage and elevation Truglo Special stainless black electsol coating.



Kinetic Energy is adjustable from **3 to 60 Joules**



MX7-S BLACK



MX7-S WOOD

Caliber	Regulator & Volume	Muzzle Output Speed*	Power (Joule)	Magazine Capacity	Tube Volume	Filling Pressure	Number of Shots	Stock	Total Length	Barrel Length	Type of Barrel	Twist Rate	Weight	Scope Rail	Replacement Magazine	Colour Option	Case
4.5 mm / .177cal	Optional	830/880 FPS	22 J	14	275cc	200 bar	80	Turkish Luxry Walnut Synthetic	650 mm	450 mm	Rifled	1:15	2600 gr	22 mm Picatinny Rail	Yes	Matte Black / Glossy Balck	Plastic Hardcase
5.5 mm / .22 cal	Optional	830/870 FPS	41 J	12	275cc	200 bar	70	Turkish Luxry Walnut Synthetic	650 mm	450 mm	Rifled	1:15	2600 gr	22 mm Picatinny Rail	Yes	Matte Black / Glossy Balck	Plastic Hardcase
6.35 mm / .25 cal	Optional	800/850 FPS	54 J	10	275cc	200 bar	55	Turkish Luxry Walnut Synthetic	650 mm	450 mm	Rifled	1:15	2600 gr	22 mm Picatinny Rail	Yes	Matte Black / Glossy Balck	Plastic Hardcase



MX8 BLACK

MX8

Side lever cocking system with manual locking system. Adjustable cheek piece soft rubber coated. Rubber grip for a better control and shooting feeling Precision rifled barrel special coated. Micro adjustable rear sight for both windage and elevation Truglo Special stainless black eelscol coating.



Kinetic Energy is adjustable from **3 to 60 Joules**



MX8 MAX5

Caliber	Regulator & Volume	Muzzle Output Speed*	Power (Joule)	Magazine Capacity	Tube Volume	Filling Pressure	Number of Shots	Stock	Total Length	Barrel Length	Type of Barrel	Twist Rate	Weight	Scope Rail	Replacement Magazine	Colour Option	Case
4.5 mm / .177cal	Optional	800/1100 FPS	35 J	14	500 cc	250 bar	90	Synthetic	950 mm	550 mm	Rifled	1:15	3250 gr (7.16 lbs)	22 mm Picatinny Rail	Yes	Matte Black / Glossy Black	Plastic Hardcase
5.5 mm / .22 cal	Optional	870/950 FPS	54 J	12	500 cc	250 bar	80	Synthetic	950 mm	550 mm	Rifled	1:15	3250 gr (7.16 lbs)	22 mm Picatinny Rail	Yes	Matte Black / Glossy Black	Plastic Hardcase
6.35 mm / .25 cal	Optional	840/900 FPS	62 J	10	500 cc	250 bar	65	Synthetic	950 mm	550 mm	Rifled	1:15	3250 gr (7.16 lbs)	22 mm Picatinny Rail	Yes	Matte Black / Glossy Black	Plastic Hardcase



MX9 WOOD

MX9

Side lever cocking system with manual locking system. Adjustable cheek piece soft rubber coated. Rubber grip for a better control and shooting feeling Precision rifled barrel special coated. Micro adjustable rear sight for both windage and elevation Truglo Special stainless black electsol coating.



Kinetic Energy is adjustable from **3 to 62 Joules**



Caliber	Regulator & Volume	Muzzle Output Speed*	Power (Joule)	Magazine Capacity	Tube Volume	Filling Pressure	Number of Shots	Stock	Total Length	Barrel Length	Type of Barrel	Twist Rate	Weight	Scope Rail	Replacement Magazine	Colour Option	Case
4.5 mm / .177cal	Optional	800/1100 FPS	35 J	14	500 cc	250 bar	90	Turkish Luxry Walnut	1100 mm (43.30)	550 mm	Rifled	1:15	3750 gr	22 mm Picatinny Rail	Yes	Matte Black / Glossy Black	Plastic Hardcase
5.5 mm / .22 cal	Optional	870/950 FPS	54 J	12	500 cc	250 bar	80	Turkish Luxry Walnut	1100 mm (43.30)	550 mm	Rifled	1:15	3750 gr	22 mm Picatinny Rail	Yes	Matte Black / Glossy Black	Plastic Hardcase
6.35 mm / .25 cal	Optional	840/900 FPS	52 J	10	500 cc	250 bar	65	Turkish Luxry Walnut	1100 mm (43.30)	550 mm	Rifled	1:15	3750 gr	22 mm Picatinny Rail	Yes	Matte Black / Glossy Black	Plastic Hardcase



MX10 BLACK

MX10

Side lever cocking system with manual locking system. Adjustable cheek piece soft rubber coated. Rubber grip for a better control and shooting feeling Precision rifled barrel special coated. Micro adjustable rear sight for both windage and elevation Truglo Special stainless black elecsol coating.



Kinetic Energy is adjustable from **3 to 60 Joules**



MX10 MAX5



MX10 WOOD

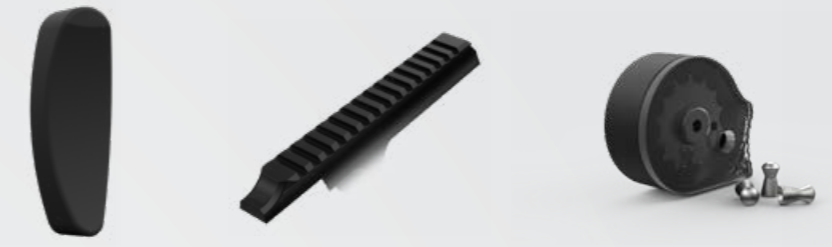
Caliber	Regulator & Volume	Muzzle Output Speed*	Power (Joule)	Magazine Capacity	Tube Volume	Filling Pressure	Number of Shots	Stock	Total Length	Barrel Length	Type of Barrel	Twist Rate	Weight	Scope Rail	Replacement Magazine	Colour Option	Case
4.5 mm / .177cal	Optional	830/950 FPS	22 J	14	320	200 bar	80	Syntetic	850 mm	550 mm	Rifled	1:15	2850 gr	22 mm Picatinny Rail	Yes	Matte Black / Glossy Black	Plastic Hardcase
5.5 mm / .22 cal	Optional	830/950 FPS	49 J	12	320	200 bar	70	Syntetic	850 mm	550 mm	Rifled	1:15	2850 gr	22 mm Picatinny Rail	Yes	Matte Black / Glossy Black	Plastic Hardcase
6.35 mm / .25 cal	Optional	800/850 FPS	54 J	10	320	200 bar	55	Syntetic	850 mm	550 mm	Rifled	1:15	2850 gr	22 mm Picatinny Rail	Yes	Matte Black / Glossy Black	Plastic Hardcase



MX10-S BLACK

MX10-S

Side lever cocking system with manual locking system. Adjustable cheek piece soft rubber coated. Rubber grip for a better control and shooting feeling Precision rifled barrel special coated. Micro adjustable rear sight for both windage and elevation Truglo Special stainless black elecsol coating.



Kinetic Energy is adjustable from **3 to 60 Joules**



MX10-S MAX5



MX10-S WOOD

Caliber	Regulator & Volume	Muzzle Output Speed*	Power (Joule)	Magazine Capacity	Tube Volume	Filling Pressure	Number of Shots	Stock	Total Length	Barrel Length	Type of Barrel	Twist Rate	Weight	Scope Rail	Replacement Magazine	Colour Option	Case
4.5 mm / .177cal	Optional	830/890 FPS	22 J	14	275 cc	200 bar	80	Turkish Luxry Walnut Synthetic	850 mm	450 mm	Rifled	1:15	2850 gr	22 mm Picatinny Rail	Yes	Matte Black / Glossy Black	Plastic Hardcase
5.5 mm / .22 cal	Optional	830/870 FPS	49 J	12	275 cc	200 bar	70	Turkish Luxry Walnut Synthetic	850 mm	450 mm	Rifled	1:15	2850 gr	22 mm Picatinny Rail	Yes	Matte Black / Glossy Black	Plastic Hardcase
6.35 mm / .25 cal	Optional	830/870 FPS	54 J	10	275 cc	200 bar	55	Turkish Luxry Walnut Synthetic	850 mm	450 mm	Rifled	1:15	2850 gr	22 mm Picatinny Rail	Yes	Matte Black / Glossy Black	Plastic Hardcase



PCP RAVELLO RX5

RAVELLO RX5

Side lever cocking system with manual locking system. Adjustable cheek piece soft rubber coated. Rubber grip for a better control and shooting feeling Precision rifled barrel special coated. Micro adjustable rear sight for both windage and elevation Truglo Special stainless black electsol coating.



Kinetic Energy is adjustable from **3 to 60 Joules**



Regulator & Volume	Muzzle Output Speed*	Power (Joule)	Magazine Capacity	Tube Volume	Filling Pressure	Number of Shots	Stock	Total Length	Barrel Length	Type of Barrel	Twist Rate	Weight	Scope Rail	Replacement Magazine	Colour Option	Case
--------------------	----------------------	---------------	-------------------	-------------	------------------	-----------------	-------	--------------	---------------	----------------	------------	--------	------------	----------------------	---------------	------

4.5 mm / .177cal	Optional	850/900 FPS	35 J	14	320 cc	200 bar	90	Turkish Luxry Walnut	1100 mm (43.30)	550 mm	Rifled	1:15	3250 gr	22 mm Picatinny Rail	Yes	Matte Black / Glossy Black	Plastic Hardcase
5.5 mm / .22 cal	Optional	850/970 FPS	52 J	12	320 cc	200 bar	80	Turkish Luxry Walnut	1100 mm (43.30)	550 mm	Rifled	1:15	3250 gr	22 mm Picatinny Rail	Yes	Matte Black / Glossy Black	Plastic Hardcase
6.35 mm / .25 cal	Optional	840/890 FPS	62 J	10	320 cc	200 bar	65	Turkish Luxry Walnut	1100 mm (43.30)	550 mm	Rifled	1:15	3250 gr	22 mm Picatinny Rail	Yes	Matte Black / Glossy Black	Plastic Hardcase



PCP RAVELLO RX6

RAVELLO RX6

Side lever cocking system with manual locking system. Adjustable cheek piece soft rubber coated. Rubber grip for a better control and shooting feeling Precision rifled barrel special coated. Micro adjustable rear sight for both windage and elevation Truglo Special stainless black electsol coating.



Kinetic Energy is adjustable from **3 to 60 Joules**



Regulator & Volume	Muzzle Output Speed*	Power (Joule)	Magazine Capacity	Tube Volume	Filling Pressure	Number of Shots	Stock	Total Length	Barrel Length	Type of Barrel	Twist Rate	Weight	Scope Rail	Replacement Magazine	Colour Option	Case
--------------------	----------------------	---------------	-------------------	-------------	------------------	-----------------	-------	--------------	---------------	----------------	------------	--------	------------	----------------------	---------------	------

4.5 mm / .177cal	Optional	850/900 FPS	35 J	14	550 cc	250 bar	90	Turkish Luxry Walnut	1100 mm (43.30)	550 mm	Rifled	1:15	3750 gr	22 mm Picatinny Rail	Yes	Matte Black / Glossy Black	Plastic Hardcase
5.5 mm / .22 cal	Optional	850/970 FPS	52 J	12	550 cc	250 bar	80	Turkish Luxry Walnut	1100 mm (43.30)	550 mm	Rifled	1:15	3750 gr	22 mm Picatinny Rail	Yes	Matte Black / Glossy Black	Plastic Hardcase
6.35 mm / .25 cal	Optional	840/890 FPS	62 J	10	550 cc	250 bar	65	Turkish Luxry Walnut	1100 mm (43.30)	550 mm	Rifled	1:15	3750 gr	22 mm Picatinny Rail	Yes	Matte Black / Glossy Black	Plastic Hardcase






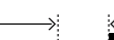










RX1250 BLACK

AIR RIFLE RX1250



RX1250 CAMO

	 Piston Type	 Muzzle Output Speed*	 Power (Joule)	 Magazine Capacity	 Stock	 Total Length	 Barrel Length	 Type of Barrel	 Twist Rate	 Weight	 Scope Rail	 Replacement Magazine	 Colour Option	 Case
4.5 mm / .177cal	Gas Piston	780 FPS	< 20 J	Single	Syntetic/ Camo Max 5	1100 mm (43.30)	450 mm	Rifled	1:15	3050 gr	11 mm Dovetail	No	Matte Black	Cardboard
5.5 mm / .22 cal	Gas Piston	650 FPS	< 20 J	Single	Syntetic/ Camo Max 5	1100 mm (43.30)	450 mm	Rifled	1:15	3050 gr	11 mm Dovetail	No	Matte Black	Cardboard







aselkon 



www.aselkonarms.com

2 0 2 3



Büyükkayacak O.S.B. 516 Nolu Sk. No:19-19/1

Telephone : +90 332 342 26 12 / +90 332 342 40 04 / Mobile: +90 532 136 08 96

Mobile Export : +90 553 407 00 86

E-Mail : info@aselkon.com.tr / export@aselkon.com.tr

www.aselkonarms.com

Aselkon reserves the right to make modifications to the products shown in this catalogue at any time without prior notice. The finishings, color and patterns shown in this catalogue are approximate, as a printed reproduction causes inevitable color differences. The illustrations and descriptions contained in this catalogue are only provided as an indication.